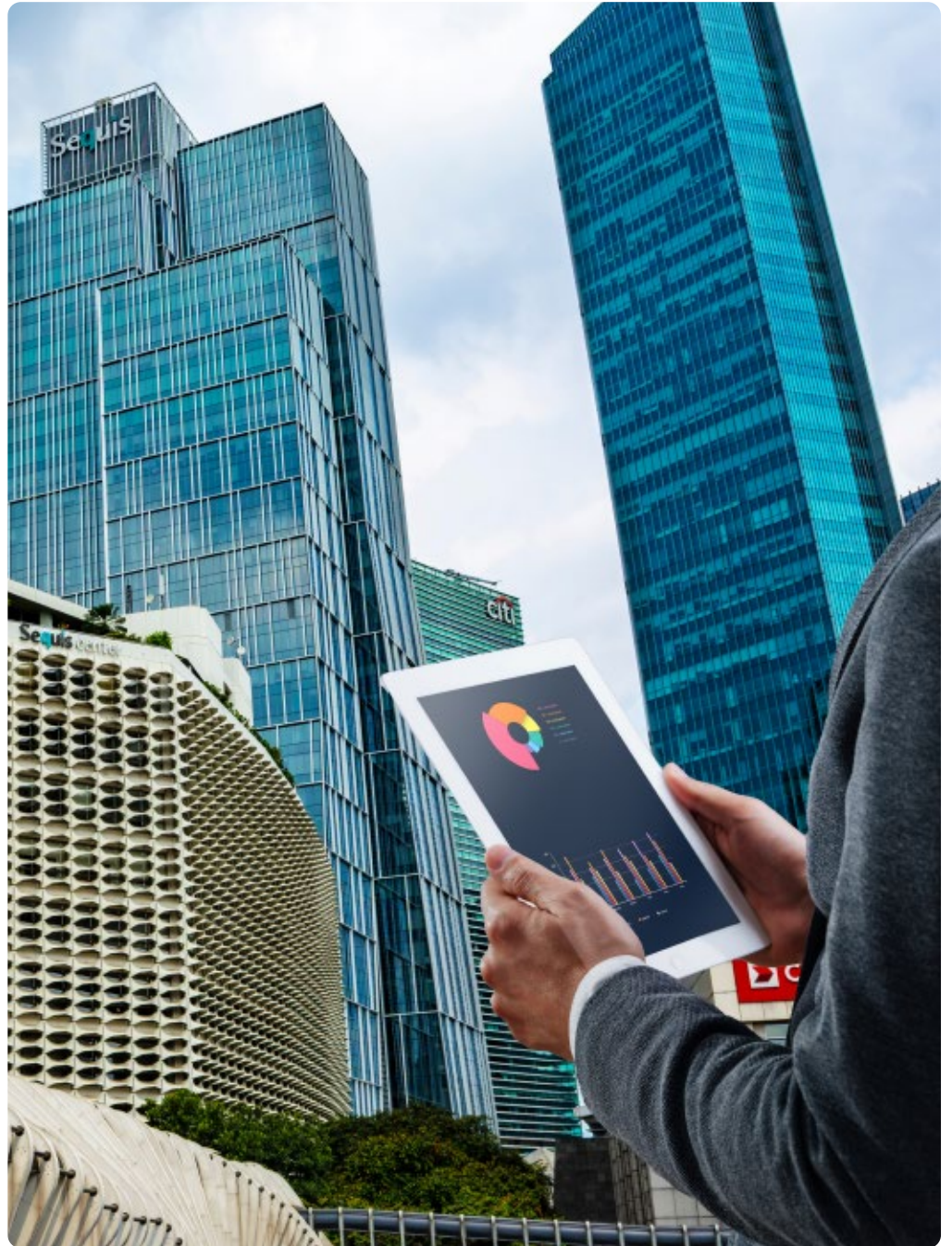


SMART BUILDING SOLUTIONS

Building management systems
supporting cables product guide



Connecting people and businesses everywhere



150

Years of Experience



+50

Countries



33k

Employees



+15B

Sales in Euros

Sustainability-driven innovation to lead the energy transition and digital transformation

With a legacy spanning over 150 years, Prysmian is a global leader in energy and telecom cable solutions, driving innovation and sustainability. In 2023, we achieved over €15 billion in sales, supported by our 33,000 employees, 82 manufacturing plants, and operations in more than 50 countries worldwide.

We offer the broadest range of cutting-edge products, services, and technologies tailored to meet the evolving needs of our customers. From enabling the energy transition with our pioneering E-Path sustainable cable solution, to supporting critical telecom infrastructure, Prysmian plays a pivotal role in building resilient and efficient systems across the globe.

Our commitment to work closely with our customers ensures that we deliver solutions to help them expand energy and telecom networks, achieving sustainable, profitable growth while addressing the challenges of a rapidly changing world. Together, we're shaping the future of connectivity and electrification.



The planet's pathway

Our world-leading cable solutions



Transmission

- Submarine power and telecom systems
- Marine installation through inhouse fleet
- Underground interconnectors up to 525kV DC
- Complete solutions provider:
 - Turn-key execution approach
 - Continuous monitoring
 - Post-installation maintenance



Power Grid

- HV/EHV AC systems supply and installation
- MV and HV/EHV Network Components (NWC) up to 500kV
- Power Distribution cables' solutions from LV to MV (and up to 69kV)
- Data-driven permanent monitoring systems for power networks



Electrification

- Renewables
- Specialties & OEM
 - (Railway, Marine, Crane, Mining, Nuclear, Rolling Stock, Defence, Electro medical, other infrastructure)
- Data Centres
- Energy Storage Systems
- OGP Onshore/Offshore & SURF
- Elevators
- Other Industrial
- Residential, Hospitals & Commercial constructions



Digital Solutions

- Commercial Buildings
 - Passive Optical Cabling
 - Structured Cabling System
 - Building Management
- Data Centre
- Mission Critical and Harsh Environment
- Broadcast and Studio
- Marine & Shipboard

The planet's pathway

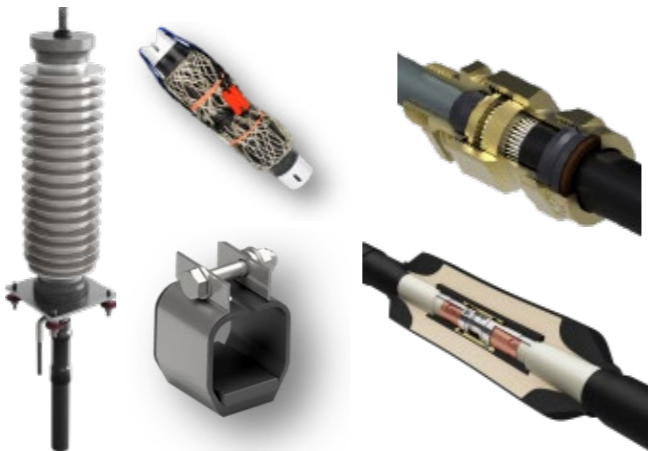
Network components



Empowering Reliable Grids with Comprehensive Network Components

We go beyond cables to deliver complete solutions for your transmission and distribution needs. Our extensive portfolio of network components and accessories—including joints, terminations, connectors, and glands—ensures seamless integration with power systems, whether for new installations or upgrades to existing grids. Engineered to the highest standards, our components provide reliability, safety, and performance, supporting utilities in building efficient and robust power networks.

We offer tailored solutions across all voltage classes, including innovative designs for optical fiber integration and asset monitoring systems, reflecting our commitment to sustainability and innovation. Our advanced technologies, such as pre-expanded and cold-shrink options, enable faster, easier installations, reducing downtime and ensuring operational excellence.



Backed by Prysmian's global reach and local expertise, we provide dedicated engineering support and customized designs to meet specific project needs. Together, let's build the future of power systems with network components that are as reliable and innovative as our cables.

Asset monitoring & systems

ALESEA: The virtual assistant for cable management

Combining advanced IoT devices for seamless data collection with robust open APIs for effortless data integration, Alesea transforms the cable drum into a smart asset, enabling better operations and inventory management for its users. With real-time visibility, actionable insights, and comprehensive data about location, usage, and health of your drums, Alesea ensures you manage your assets more efficiently and sustainably.



Proactive Monitoring with Prysmian's EOSS Solutions

Prysmian's Electronic and Optical Sensing Solutions (EOSS) empower Southeast Asia's industries to safeguard assets with real-time monitoring of partial discharge, temperature, and acoustic anomalies. Scalable Pry-Cam solutions—portable or permanent—ensure safety, reliability, and cost efficiency. By shifting from reactive to preventive maintenance, EOSS minimizes downtime and extends asset lifespan across the region.



Prysmian in the region



Prysmian operates extensively across the Asia Pacific region, supported by a robust infrastructure that includes 13 manufacturing plants across China, Malaysia, Indonesia, the Philippines, and Thailand. Our regional distribution center in Singapore serves as a strategic hub, ensuring seamless delivery of cutting-edge cable solutions for the energy, infrastructure, and telecom markets.

In Asia Pacific, Prysmian is proud to be a part of landmark projects that showcase our expertise and commitment to innovation. These include addressing the complex cable requirements of iconic developments like Marina Bay Sands in Singapore and supporting the ambitious South Vietnam submarine cable projects,

which strengthen regional connectivity. Additionally, Prysmian's advanced solutions have contributed to offshore wind farm developments, highlighting our pivotal role in accelerating the region's transition to renewable energy.

With a clear focus on sustainability and a strong local presence, Prysmian is well-positioned to meet the demands of Asia Pacific's rapidly growing markets. We remain dedicated to delivering innovative technologies that empower our partners and drive the region's progress towards a more connected and

Our corporate brand

Prysmian has a multi-brand architecture made of three levels: a strong Corporate Brand, Prysmian, which stands for the whole organization. It is the umbrella brand under which all the initiatives regarding the Company worldwide are carried out.



The second level is represented by the three well-known Commercial Brands: Prysmian, Draka and General Cable.



The third level encompasses the wide range of product brands that serve all the markets and applications in which the Company operates.



1. PRYSMIAN SMART BUILDINGS SOLUTIONS	
BUILDING MANAGEMENT SYSTEMS	9
HOW PRYSMIAN BENEFITS YOUR BUSINESS	9
2. SMART BUILDING SOLUTIONS WITH PRYSMIAN	10
3. ACCESS CONTROL SYSTEM AND CABLES	11
4. PRODUCTS	
MAX-FOH Flexible & MAX-FOH SHIELD	12
CONTROL CABLES	
UL2464 CONTROL CABLES	13
MP SERIES AUDIO/CONTROL CABLES	14
MC SERIES CONTROL CABLES	15
SECURITY ALARM CABLES	16
BUS CABLES	
RS-485 CABLES	17
EIB BUS CABLES	18
COAXIAL CABLES	
RG-6 COAXIAL CABLES	19
COPPER CABLING SYSTEMS	
UCDATA CAT6 Cable	20
UCDATA CAT6A Cable	21
UCCONNECT MODULAR JACK	22
UCCONNECT PATCH CORD	23
UCCONNECT PATCH PANEL	23
FIBER CABLING SYSTEMS	
UCFIBER INDOOR FIBER OPTIC CABLE	24
UCFIBER INDOOR/OUTDOOR FIBER OPTIC CABLE	25
UCCONNECT FIBER PATCH PANEL	25
UCCONNECT FIBER PATCH CORD	26
UCCONNECT FIBER PIGTAIL	26

Prysmian smart buildings solutions

Building management systems

A Building Management System (BMS) is a centralized control system used to monitor and manage various mechanical, electrical, and plumbing systems in buildings. It improves efficiency, enhances comfort, and ensures safety. Key functions of BMS including

- HVAC Control (Heating, Ventilation and Air Conditioning)
- Security & Access Control
- Lighting Control
- Fire & Safety Systems
- Parking Management Systems

How prysmian benefits your business

Technical Consulting

Confidently build the network you require with Prysmian technological expertise in Building Management System cabling solutions.

Improved Efficiency

Seamless integration of communication networks optimizes system performance.

Enhanced Security

Reliable signal transmission ensures uninterrupted surveillance and access control.

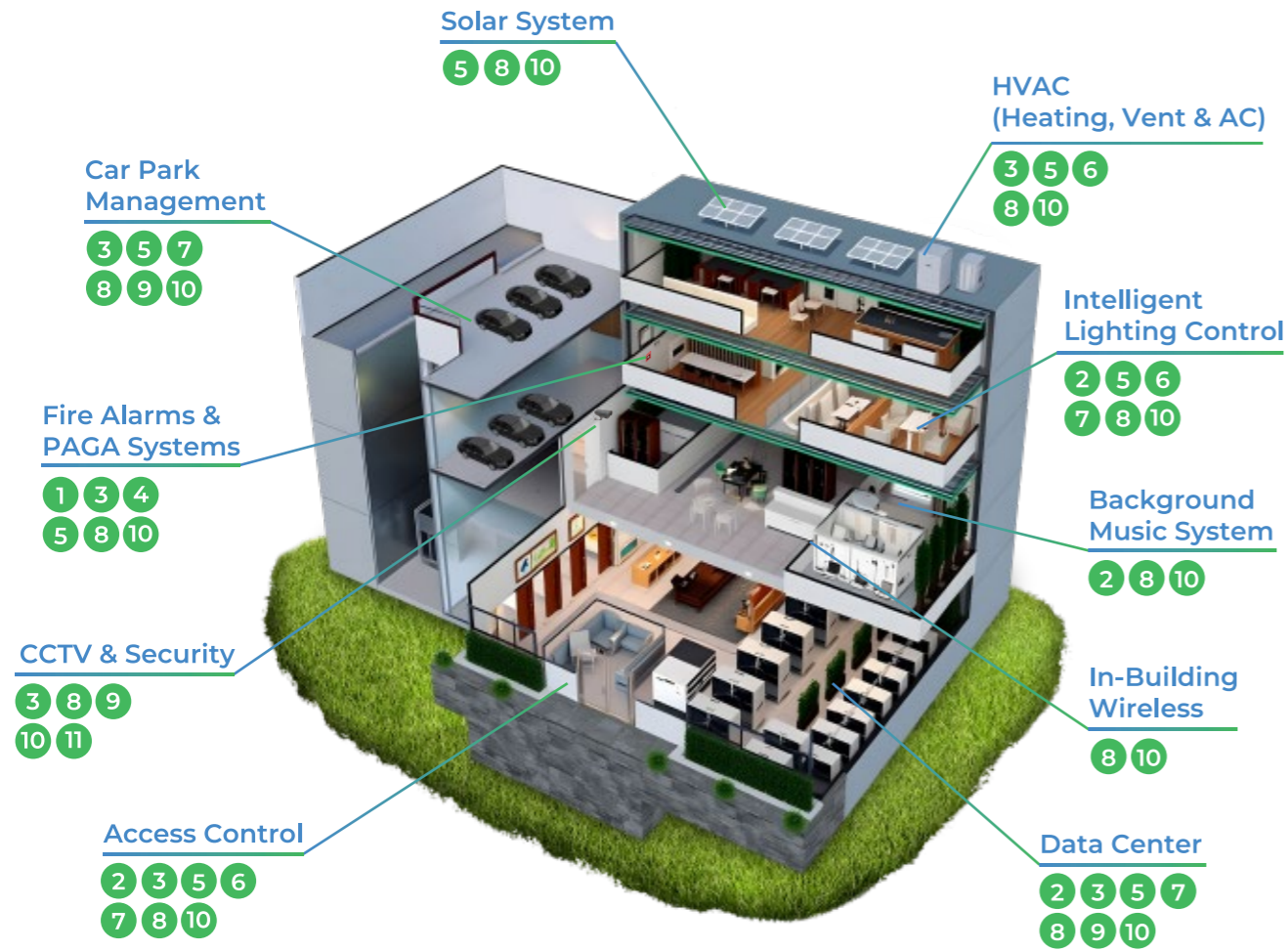
Cost Reduction

Energy-efficient solutions minimize operating expenses.

Scalability & Flexibility

Future-proof designs allow easy adaptation to new technologies and business expansions.

Smart Building Solutions with Prysmian



- 1 MAX-FOH & MAX SHIELD Cables
- 2 MP Series Control Cables
- 3 UL2464 Control Cables
- 4 Fire Alarm Cables
- 5 RS-485 Cables
- 6 EIB BUS Cables
- 7 SACS Series Security Alarm Cables
- 8 UC DATA Cables (Cat.6 & Cat.6a)
- 9 UC FIBER (Fiber Optic Cables)
- 10 UC CONNECT (Copper & Fiber Connectivity)
- 11 Coaxial Cable (RG59, RG11, RG6)

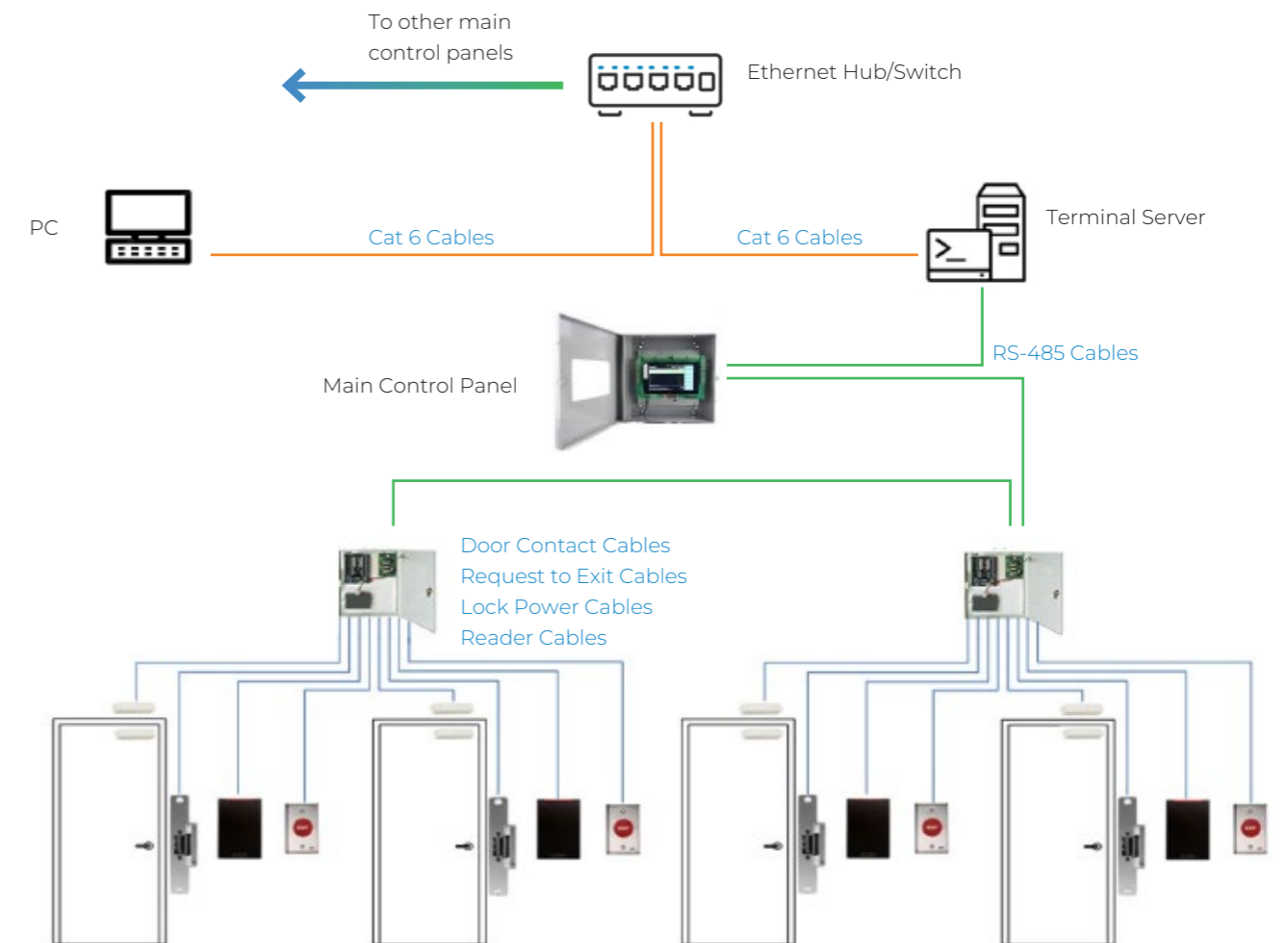
Note: The images shown are for illustration purposes only

Access control system and cables

A conventional Access Control System can range from the environment, the type and control of access, and to control the security of access. All Access Control Systems have a type of reader, control panel, software, and other peripheral devices.

Access Control Cables consist of:

- Reader Cables: Dependent on the type of reader (barcode, biometric, computer chip etc.)
- Door Contact Cables
- Request to Exit Cables
- Lock Power Cables
- RS-485 Cables: Communication cables for low streaming data to the control panels
- LAN/Networking Cables: Communication for low/medium/high data rates for data transfer



MAX-FOH Flexible & MAX-FOH SHIELD



APPLICATION

PAGA cable is a type of fire-resistant cable used for Public Address and General Alarm (PAGA) systems. MAX-FOH Flexible and MAX-FOH Shield is suitable for public address and general alarm system. PA system will be used as voice alarm system that make announcement during emergency to evacuate the occupants in a building. MAX-FOH Flexible and MAX-FOH Shield is highly flexible due to the unique tubing design.

Cable Specification

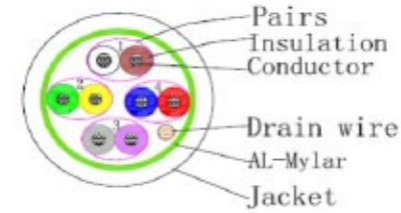
MAX-FOH Flexible

Conductor	Fire Barrier	Insulation	Layup	Sheath	Standard Ref.
Stranded Bare Copper 1.0mm ² ~ 2.5mm ²	Mica Tape	XLPE	2 C ~ 4 C	LSZH	BS 6387 CWZ IEC 60331 IEC 60332-3-22 IEC 61034-2 IEC 60754-1/2
Part Number	Descriptions				Length/Drum
PAGA2C15	MAX-FOH FlexiTube 2C x1.5mm ²				500m
PAGA2C25	MAX-FOH FlexiTube 2C x2.5mm ²				500m

MAX-FOH Shield

Conductor	Fire Barrier	Insulation	Shield	Layup	Sheath	Standard Ref.
Stranded Bare Copper 1.0mm ² ~ 2.5mm ²	Mica Tape	XLPE	Aluminum/ Mylar	2 C ~ 4 C	LSZH	BS 6387 CWZ IEC 60331 IEC 60332-3-22 IEC 61034-2 IEC 60754-1/2
Part Number	Descriptions				Length/Drum	
PAGAS1P15	MAX-FOH Shield 1PR x1.5mm ²				500m	

CONTROL CABLES: UL2464 CONTROL CABLES



APPLICATION

UL2464 Screened Multi-Conductor cable suitable for audio, control, instruments, RS-232, internal and external wiring of electronic equipment and Building Management Systems.

Cable Specification

UL2464 Screened

Conductor	Insulation	Shield	Sheath	Layup	Standard Ref.
Stranded Tinned Copper 24AWG~ 16AWG	SR-PVC	AL/PE	PVC/LSZH	1PR ~ 5 PR	UL 2464
Part Number	Descriptions				Length/Drum
24124GY-3H	UL2464 Screened 1PR x 24AWG PVC				305m
24222GY-3H	UL2464 Screened 2PR x 22AWG PVC				305m
24116LGY-3H	UL2464 Screened 1PR x 16AWG LSZH				500m
24216LGY-5H	UL2464 Screened 2PR x 16AWG LSZH				500m

Note: As per the application/identification requirement, other conductor size and colors available upon request.

CONTROL CABLES: MP SERIES AUDIO/CONTROL CABLES



APPLICATION

MP series audio/control cables use as low voltage analogue/digital signals, line level audio, and microphones cables.

Cable Specification

MP Series Screened

Conductor	Insulation	Shield	Sheath	Layup	Standard Ref.
Stranded Tinned Copper 24AWG~ 16AWG	PE	AL/PE	PVC CMG LSZH	1PR ~ 3 PR	UL PVC CMG IEC 60332-1 IEC 61034-2 IEC 60754-1/2
Part Number	Descriptions			Length/Drum	
MP15500CGY-3H	Multi-Pair 1500 1PR x 18AWG Shielded PVC-CMG Grey			305m	
MP15500LGY-3H	Multi-Pair 1500 1PR x 18AWG Shielded LSZH Grey			305m	
MP16700CGY-3H	Multi-Pair 1600 1PR x 22AWG Shielded PVC-CMG Grey			305m	
MP16700LGY-3H	Multi-Pair 1600 1PR x 22AWG Shielded LSZH Grey			305m	

MP Series Unscreened

Conductor	Insulation	Shield	Sheath	Layup	Standard Ref.
Stranded Tinned Copper 24AWG~ 16AWG	PE	N/A	PVC CMG LSZH	1PR ~ 3 PR	UL PVC CMG IEC 60332-1 IEC 61034-2 IEC 60754-1/2
Part Number	Descriptions			Length/Drum	
MP10400CGY-3H	Multi-Pair 1000 1PR x 16AWG Unshielded PVC-CMG Grey			305m	
MP10400LGY-3H	Multi-Pair 1000 1PR x 16AWG Unshielded LSZH Grey			305m	
MP14500CGY-3H	Multi-Pair 1400 1PR x 18AWG Unshielded PVC-CMG Grey			305m	
MP14500LGY-3H	Multi-Pair 1400 1PR x 18AWG Unshielded LSZH Grey			305m	

Note: As per the application/identification requirement, other conductor size and colors available upon request.

CONTROL CABLES: MC SERIES CONTROL CABLES



APPLICATION

MC series cables suitable for security systems, intercom, audio and speaker.

Cable Specification

MC Series Screened

Conductor	Insulation	Shield	Sheath	Layup	Standard Ref.
Stranded Bare Copper 24AWG~ 16AWG	PE	AL/PE	PVC CMR LSZH	2C ~ 8C	UL PVC CMR IEC 60332-1 IEC 61034-2 IEC 60754-1/2
Part Number	Descriptions			Length/Drum	
MC12740CGY-3H	Multi-Core 1200 4C x 22AWG Shielded PVC-CMR Grey			305m	
MC12780CGY-3H	Multi-Core 1200 8C x 22AWG Shielded PVC-CMR Grey			305m	
MC13640CGY-3H	Multi-Core 1300 4C x 20AWG Shielded PVC-CMR Grey			305m	
MC13680CGY-3H	Multi-Core 1300 8C x 20AWG Shielded PVC-CMR Grey			305m	

Note: As per the application/identification requirement, other conductor size and colors available upon request.

MC Series Unscreened

Conductor	Insulation	Shield	Sheath	Layup	Standard Ref.
Stranded Bare Copper 24AWG~ 16AWG	PE	N/A	PVC CMR LSZH	2C ~ 8C	UL PVC CMR IEC 60332-1 IEC 61034-2 IEC 60754-1/2
Part Number	Descriptions			Length/Drum	
MC14740CGY-3H	Multi-Core 1400 4C x 22AWG Unshielded PVC-CMR Grey			305m	
MC14780CGY-3H	Multi-Core 1400 8C x 22AWG Unshielded PVC-CMR Grey			305m	
MC15640CGY-3H	Multi-Core 1500 4C x 20AWG Unshielded PVC-CMR Grey			305m	
MC15680CGY-3H	Multi-Core 1600 8C x 20AWG Unshielded PVC-CMR Grey			305m	

CONTROL CABLES: SECURITY ALARM CABLES



APPLICATION

Security alarms cables suitable for security systems, access controls, intercom, audio/speaker cables. FPLR (Fire Power Limited Riser) rated cable suitable for floor to floor or riser rated applications.

Cable Specification

SACS/SXACS Series Screened

Conductor	Insulation	Shield	Sheath	Layup	Standard Ref.
Stranded Bare Copper 24AWG~ 14AWG	XLPE (SXACS)/ PVC (SACS)	AL/PE	PVC CMR LSZH	1PR ~ 2PR	UL PVC CMR IEC 60332-1 IEC 61034-2 IEC 60754-1/2
Part Number	Descriptions				Length/Drum
SACS1P22CGY-3H	Security Alarm 1PR x 22AWG Shielded PVC-CMR Grey				305m
SACS1P20CGY-3H	Security Alarm 1PR x 20AWG Shielded PVC-CMR Grey				305m
SXACS1P22LGY-3H	Security Alarm 1PR x 22AWG Shielded LSZH Grey				305m
SXACS1P20LGY-3H	Security Alarm 1PR x 20AWG Shielded LSZH Grey				305m

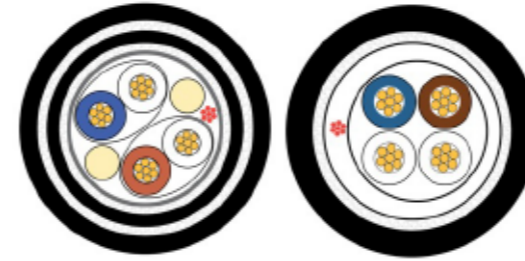
Note: As per the application/identification requirement, other conductor size and colors available upon request.

SACU Series Unscreened

Conductor	Insulation	Shield	Sheath	Layup	Standard Ref.
Stranded Bare Copper 24AWG~ 14AWG	PVC	N/A	PVC CMR LSZH	1PR ~ 2 PR	UL PVC CMR IEC 60332-1 IEC 61034-2 IEC 60754-1/2
Part Number	Descriptions				Length/Drum
SACU1P22CGY-3H	Security Alarm 1PR x 22AWG Unshielded PVC-CMR Grey				305m
SACU1P20CGY-3H	Security Alarm 1PR x 20AWG Unshielded PVC-CMR Grey				305m
SACU1P14CGY-3H	Security Alarm 1PR x 14AWG Unshielded PVC-CMR Grey				305m

Note: As per the application/identification requirement, other conductor size and colors available upon request.

BUS CABLES: RS-485 CABLES



APPLICATION

An RS-485 cable is a cable that connects electrical devices using the RS-485 industrial standard. RS-485 cables are used in a variety of applications, including industrial control systems, building automation, and model railways. RS-485 cable come with characteristic impedance of 120 ohm.

Cable Specification

MC Series Screened

Conductor	Insulation	Shield	Sheath	Layup	Standard Ref.
Stranded Bare Copper 24AWG~ 16AWG	Foam PE	AL/PE + Tinned Copper Braid	PVC LSZH SHF1	1PR ~ 4PR	IEC 60332-1 IEC 60332-3-22 IEC 61034-2 IEC 60754-1/2
Part Number	Descriptions				Length/Drum
48124FGY-5H	RS485 1PR x 24AWG Shielded PVC Grey				500m
48222FLBK-5H	RS485 2PR x 22AWG Shielded LSZH Black				500m
48222FLBKRTV-5H	RS485 2PR x 22AWG Shielded LSZH Black ATARUV				500m
48222FLMBK-5H	RS485 2PR x 22AWG Shielded LSZH SHF1 Black				500m
48222FLBBK-5H	RS485 2PR x 22AWG Shielded SWB LSZH Black				500m

Note: ATARUV" means cables is anti-rodent, anti-termite, and UV resistance, suitable for outdoor application. "SWB" means steel wire braid armour cables
As per the application/identification requirement, other cond. size and colors available upon request.

**BUS CABLES:
EIB BUS CABLES**



APPLICATION

EIB BUS cable designed for serial data transmission in the decentralized control system of buildings. Example heating, ventilation, lighting, air-conditioning, and closing systems.

Cable Specification

Conductor	Insulation	Shield	Sheath	Layup	Standard Ref.
Solid Bare Copper 0.5mm ²	PE	AL/PE	LSZH	1PR ~ 2PR	IEC 60332-1 IEC 61034-2 IEC 60754-1/2
Part Number	Descriptions			Length/Drum	
EIB1P0.8L-GN	EIB BUS 1PR x 0.8mm BC Shielded LSZH Green			500m	
EIB2P0.8L-GN	EIB BUS 2PR x 0.8mm BC Shielded LSZH Green			500m	

Note: As per the application/identification requirement, other conductor size and colors available upon request.

**COAXIAL CABLES:
RG-6 COAXIAL CABLES**



APPLICATION

RG-6 coaxial cable is intended for video applications such as CCTV, CATV, baseband and broadband. RG-6 cables are also compatible with satellite, VSAT, and any 75-ohm device that requires an RF cable.

Cable Specification

Conductor	Insulation	Shield	Sheath	Layup	Standard Ref.
Copper Clad Steel (CCS)	Foam PE	AL/PE + Aluminum Braid	PVC PVC CM LSZH	1 C	IEC 60332-1 IEC 61034-2 IEC 60754-1/2
Part Number	Descriptions			Length/Drum	
RG6176BK-5H	Coaxial RG-6 CCS APA 60% Aluminum Braid PVC			500m	
RG6776BK-5H	Coaxial RG-6 CCS APA 60% Aluminum Braid PVC CM			500m	
RG6276BK-5H	Coaxial RG-6 CCS APA 60% Aluminum Braid LSZH			500m	

Note: As per the application/identification requirement, other conductor size and colors available upon request.

COPPER CABLING SYSTEMS: UCDATA CAT6 Cable



APPLICATION

UCDATA UC400 CAT6 cable is the 250MHz bandwidth offer for Class E applications up to 1Gbits. Prysmian Cat6 cables are designed for horizontal and vertical applications in structure cabling networks to connect the user outlet to the administration panel or to interconnect administration panels.

Cable Specification

Conductor	Insulation	Shield (Optional)	Sheath	Layup	Standard Ref.
Solid Bare Copper 23AWG or 24AWG	PE	Aluminum/ Mylar	PVC LSZH	4PR	IEC 60332-1 IEC 61034-2 IEC 60754-1/2
Part Number	Descriptions			Length/Drum	
62488GY-3H	UC400 CAT.6 U/UTP 4PR 24AWG PVC GREY			305m/box	
62475GY-3H	UC400 CAT.6 U/UTP 4PR 24AWG LSZH GREY			305m/box	
60075GY-5H	UC400 CAT.6 U/UTP 4PR 23AWG PVC GREY			500m/drum	
60088GY-5H	UC400 CAT.6 U/UTP 4PR 23AWG LSZH GREY			500m/drum	
61088GY-5H	UC400 CAT.6 F/UTP 4PR 23AWG PVC GREY			500m/drum	
61075GY-5H	UC400 CAT.6 F/UTP 4PR 23AWG LSZH GREY			500m/drum	

Note: As per the application/identification requirement, other conductor size and colors available upon request.

COPPER CABLING SYSTEMS: UCDATA CAT6A Cable



APPLICATION

UCDATA UC500 CAT6A cable is ideal solutions for 10G Ethernet network. The range designed to support higher frequencies required for 10Gigabit Ethernet, while maintaining full backwards compatibility with today's needs.

Cable Specification

Conductor	Insulation	Shield	Sheath	Layup	Standard Ref.
Solid Bare Copper 23AWG	Foam PE	Aluminum/ Mylar Tinned Copper Braid	LSZH	4PR	IEC 60332-1 IEC 61034-2 IEC 60754-1/2
Part Number	Descriptions			Length/Drum	
80075BL-5H	UC500 CAT.6A U/UTP 4PR 23AWG LSZH BLUE			500m/drum	
83075BL-5H	UC500 CAT.6A F/UTP 4PR 23AWG LSZH BLUE			500m/drum	
84075WH-5H	UC500 CAT.6A F/FTP 4PR 23AWG LSZH WHITE			500m/drum	
85075WH-5H	UC500 CAT.6A S/FTP 4PR 23AWG LSZH WHITE			500m/drum	

Note: As per the application/identification requirement, other conductor size and colors available upon request.

COPPER CABLING SYSTEMS:
UCCONNECT MODULAR JACK



APPLICATION

UCCONNECT modular jack available in unshielded and shielded versions. Fast and easy termination to support CAT6 & CAT6A applications.

Connector Specification

Part Number	Descriptions	Qty
HDMJTF1262BK	HD MODULAR JACK CAT 6 UNSHIELDED BLACK	1 PC
HDMJTF1262WH	HD MODULAR JACK CAT 6 UNSHIELDED WHITE	1 PC
HDMJTF1270BK	HD MODULAR JACK CAT 6A UNSHIELDED BLACK	1 PC
HDMJTF1270WH	HD MODULAR JACK CAT 6A UNSHIELDED WHITE	1 PC
HDMJTF1261MA	HD MODULAR JACK CAT 6A SHIELDED METALLIC	1 PC
HDMJTF1271MA	HD MODULAR JACK CAT 6A SHIELDED METALLIC	1 PC

Note: As per the application/identification requirement, other conductor size and colors available upon request.

COPPER CABLING SYSTEMS:
UCCONNECT PATCH CORD



APPLICATION

UCCONNECT patch cord fully matched with other components for maximum performance. Build to support CAT6 & CAT6A applications.

Patch Cord Specification

Part Number	Descriptions	Qty
PC6110GY-XX	CAT 6 DBOOT PATCH CORD U/UTP PVC GREY	1 PC
PC6120BL-XX	CAT 6 DBOOT PATCH CORD U/UTP LSZH BLUE	1 PC
PC8120GY-XX	CAT 6A DBOOT PATCH CORD U/FTP LSZH GREY	1 PC
PC8420WH-XX	CAT 6A DBOOT PATCH CORD S/FTP LSZH WHITE	1 PC

Note: XX – length in meter, 5 = 5m, 2 = 2m
As per the application/identification requirement, other colors available upon request.

COPPER CABLING SYSTEMS:
UCCONNECT PATCH PANEL



APPLICATION

UCCONNECT patch panel come with 1RU 24 port unloaded design including Smart Clip Lock for individual cable management. Build to support CAT6 & CAT6A unshielded/ shielded applications.

Patch Panel Specification

Part Number	Descriptions	Qty
HDPPF0600BK	1RU 24 PORT STRAIGHT FLAT UNLOADED PATCH PANEL	1 PC
HDPPA0600BK	1RU 24 PORT STRAIGHT ANGLE UNLOADED PATCH PANEL	1 PC

Note: As per the application/identification requirement, other conductor size and colors available upon request.

FIBER CABLING SYSTEMS: UCFIBER INDOOR FIBER OPTIC CABLE



APPLICATION

Indoor tight buffer fiber optic cable has a coating to protect the fiber from environmental and mechanical stresses. It's use in LAN backbones, Central office interconnections, Backbones in data centers and indoor installation.

Cable Specification

Conductor	Sheath	Layup	Standard Ref.
Single Mode, OS2 Multi Mode, OM3 & OM4	PVC LSZH	6F ~ 24F	IEC 60332-1 IEC 61034-2 IEC 60754-1/2

Part Number	Length
MT006SM	INDOOR DISTRIBUTION LSZH, 6F SINGLE MODE OS2
MT024M3	INDOOR DISTRIBUTION LSZH, 24F MULTI MODE OM3
MT024M4	INDOOR DISTRIBUTION LSZH, 24F MULTI MODE OM4

Note: As per the application/identification requirement, other conductor size and colors available upon request.

FIBER CABLING SYSTEMS: UCFIBER INDOOR/OUTDOOR FIBER OPTIC CABLE



APPLICATION

Indoor/Outdoor loose tube fiber optic cable designed for indoor/outdoor installation.

Cable Specification

Conductor	Armour	Sheath	Layup	Standard Ref.
Single Mode, OS2 Multi Mode, OM3 & OM4	Corrugated Steel Tape (CSTA)	PVC LSZH	6F ~ 24F	IEC 60332-1 IEC 61034-2 IEC 60754-1/2

Part Number	Length
UTM006SM	INDOOR/OUTDOOR ARMOURED LSZH, 6F SINGLE MODE OS2
UTM012M3	INDOOR/OUTDOOR ARMOURED LSZH, 12F MULTI MODE OM3
UTM024M4	INDOOR/OUTDOOR ARMOURED LSZH, 24F MULTI MODE OM4

Note: As per the application/identification requirement, other conductor size and colors available upon request.

FIBER CABLING SYSTEMS: UCCONNECT FIBER PATCH PANEL



APPLICATION

UC9500 fiber patch panel available in 1RU & 2RU fixed style. It can fit up to 4 front panel adapters for 1RU and 8 front adapters for 2RU. Front panel adapters available with LC, SC, ST and FC adapters.

Specification

Part Number	Descriptions	Qty
PP9510	FIBER PATCH PANEL FLAT FIXED TYPE 1RU (4 EMPTY SLOT)	-
PP9520	FIBER PATCH PANEL FLAT FIXED TYPE 2RU (8 EMPTY SLOT)	-
PPA9514-6LCSM	6 PORT (12F) LC DUPLEX FRONT ADAPTER PANEL	-
PPA9517-6LCSM	6 PORT (24F) LC QUAD FRONT ADAPTER PANEL	-
PPST9521-24 + PPST9521-C	Splice Tray + Splice Tray Cover	-

FIBER CABLING SYSTEMS: UCCONNECT FIBER PATCH CORD



APPLICATION

Factory terminated high performance ultra polish connectors patch cords. Designed to meet ANSI EIA/TIA 568-C.2 and ISO/IEC 11801-1:2017 for patching application.

Specification

Part Number	Descriptions	Length
PCDL9A107-XX	LC-LC DUPLEX FIBER PATCH CORD, SINGLE MODE OS2	-
PCDL04307-XX	LC-LC DUPLEX FIBER PATCH CORD, MULTI MODE OM4	-
PCDL03307-XX	LC-LC DUPLEX FIBER PATCH CORD, MULTI MODE OM3	-

Note: XX – length in meter, 5 = 5m, 2 = 2m
As per the application/identification requirement, other colors available upon request.

FIBER CABLING SYSTEMS: UCCONNECT FIBER PIGTAIL



APPLICATION

Factory terminated high performance optical pigtails.

Specification

Part Number	Descriptions	Length
PT09LC-X	LC PIGTAIL 900µm, SINGLE MODE OS2	-
PT40LC-X	LC PIGTAIL 900µm, MULTI MODE OM4	-
PT33LC-X	LC PIGTAIL 900µm, MULTI MODE OM3	-
T-PT40LC-X	LC PIGTAIL 900µm, SINGLE MODE OS2, 12 COLOURS CODE	-

Note: XX – length in meter, 5 = 5m, 2 = 2m
As per the application/identification requirement, other colors available upon request.



Prysmian APAC

20 Jurong Port Road,
Jurong Town
SINGAPORE 619094

Email: sales.asean@prysmian.com
Tel: +65 6265 0707
Fax +65 6265 2226



asean.prysmian.com

Follow us

